

SPECIFICATION SHEET

BPL-104

• Directional Light

• Fiber Glass

Fixture Specifications:

Housing: Die-cast aluminum.

Stem: Die-cast aluminum stem, with ½ NPT hub on bottom.

Finish: Available in **BLK-Black, RST-Rust**

Socket: GU5.3 socket

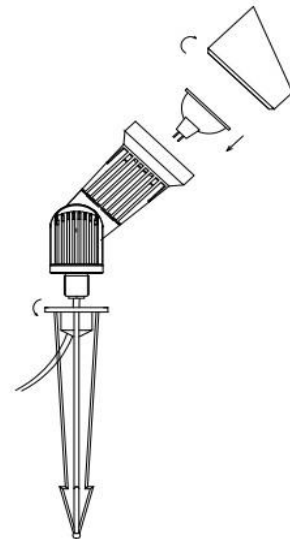
Lamp: 12V, MR16 halogen bulb 20W standard, 20W Max.
 LED lamps available in 3W/6W/9W, with 2700K-warm white color temperature.

Wiring: Fixture is prewired with a 3ft 18-2 direct burial cord. Silicone filled wire nut BPL-80 is available from BestProLighting.com. Wire nuts sold separately.

Mounting Spike: Black 8½" ABS spike with ½" NPT male hub on top

Electrical Notes: A 12V transformer is required. Options are available from BestProLighting.com
 Voltage range for 12V halogen lamps are 11V-12.5V
 Voltage range for LED lamps are 8V-21V.
 Proper grease/lubricant is suggested on threaded parts during installation process.

Warranty: Limited five (5) year warranty on fixture housing and stem against manufacture's defects.

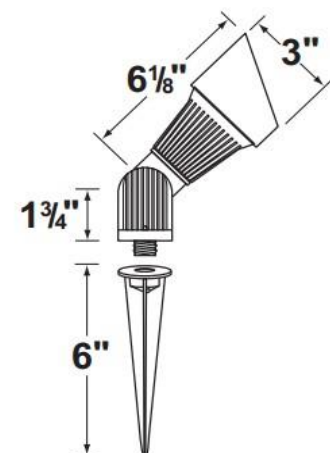


AVAILABLE LED LAMPS

LAMP NUMBER	WATTS	BEAM		COLOR & TEMP.	RATED HOURS	HALOGEN EQUIVALENT
		SPREAD	LUMEN			
3WMR16LED 3	3	45°	270	2700K	50000	20 Watt
6WMR16LED 6	6	45°	540	2700K	50000	35 Watt
9WMR16LED 9	9	45°	810	2700K	50000	50 Watt

AVAILABLE HALOGEN LAMP

LAMP NUMBER	WATTS	BEAM		COLOR & TEMP.	RATED HOURS
		SPREAD	LUMEN		
MR16 20W	20	36°		2700K	2000



For additional lamps and accessories, visit bestprolighting.com